

Introduction

Your BLUESHAPE V-Plate accessory model type MVPHF has been specifically designed to be fitted as an attachment to the back of the Phantom Flex4K camera made by Vision Research. This revision of plate is an improved version over the previous with a metal cast body and integrated V-base. The V-base and contact block components are high precision and designed for secure locking and high current draw from V-lock batteries.

Upon installing the V-Plate, you will be able to power your camera using V-lock batteries like BLUESHAPE BV range or similar. It is recommended that the higher capacity models are used for this purpose because of the high power demand of the camera. **The battery must be able to deliver up to 12A.**

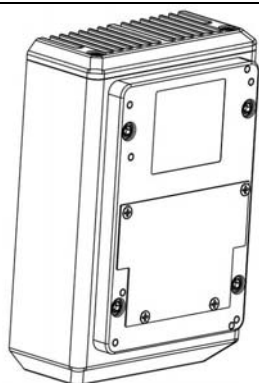
Below you will find pictorial step by step instructions on how to mount your V-plate on the back of the Phantom Flex4K: The electrical connection to the camera is through the 2 pin Molex male connector provided underneath the plate.

Features and Specifications

- Metal die-cast body with integrated V-base
- High precision contact block made of special materials and heavily gilded to ensure high current draw capabilities without overheating
- Twin D-TAP socket connectors for nominal 14.6V DC output [Maximum recommended rating - 80W / side]
- Interface back plate included
- Easy mounting on camera using just 3 screws
- Rated cable and Molex plug for camera connection
- Convenient USB charging socket for charging smartphones, tablets, etc.
- Current rating > 12A continuous
- Dimensions 82(W) x 141(H) x 25(D)
- Weight: 305 grams (V-plate and including base plate)

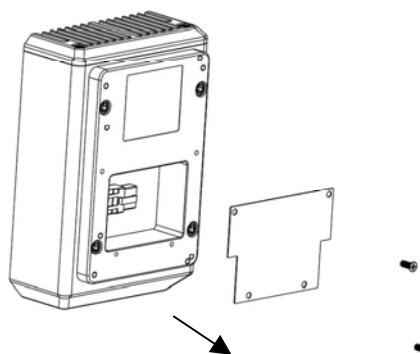
Accessories supplied:

- 1 x custom metal base plate for Phantom Flex 4K
- 1 x complete screw set containing:
 - 3 x M3 by 10mm round headed black (plastic base screws)
- 1 x Instruction manual



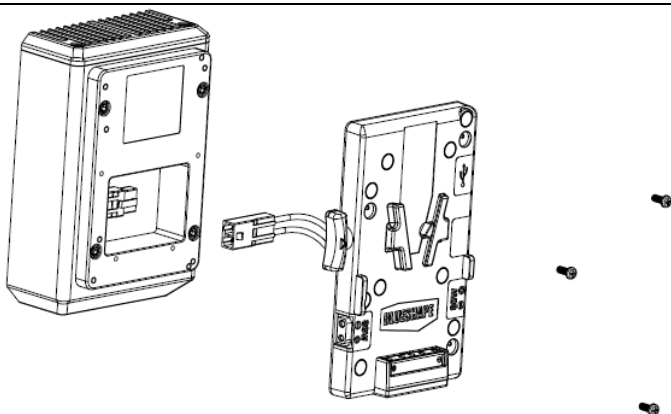
This graphic shows the back of the Phantom Flex4K where the MVPHF V-plate is to be attached.

Step 1



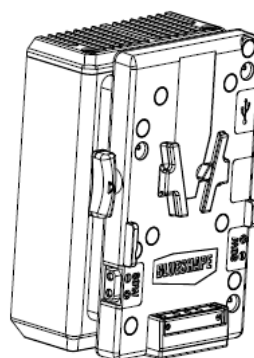
Remove the lid from the camera back by undoing 4 screws. The electrical connector should now be visible.

Step 2



The male connector coming out from the V-plate is to be fitted into the female connector in the camera recess .

Step 3



Once screwed in position, the metal plate should look like this. Do not overtighten the screws.

Step 4

Warranty

BLUESHAPE products are warranted to be free from defects in materials, workmanship and functionality for a period of 18 months commencing from the date of purchase. This warranty shall not apply to any products or parts of, that have been subjected to misuse, negligence, accidental or abnormal conditions of operation. The buyer should always contact the place of purchase for any return of defective product. It is important that the buyer provides us with as much information as possible about the failure being claimed. In the event of product failure for which warranty applies, we will repair or replace the product free of charge. In these cases, all expenses including transport charges will be borne by us. In the case where the failure has been caused by one of the causes explained above, repairs would be billed at a nominal cost. Prior to the carrying out of any repairs, we will inform the customer of the estimated costs of these repairs. These warranty conditions are the only ones applicable to our products and overrule any other expressed or implied warranties. We shall not be held liable for any damages resulting from warranty statements other than those contained in this declaration. This warranty is not transferable and is only applicable to the original buyer. In all warranty claims, the buyer must reproduce the original purchase invoice.