

Introduction

The BLUESHAPE code reference for this item is MV-EX1.

Your BLUESHAPE V-Mount adapter has been designed as an attachment to be fitted in place of the original Sony battery in the PMW-EX1 and PMW-EX1R XDCAMS.

Below is a step by step guide for a correct installation.

BLUESHAPE MV-EX1 adapter features an improved hooking device that guarantees a reliable installation, eliminating any risk of shake of the V-Mount battery during live work

The power to the camera is fed in by a short cable, equipped with a right-angled DC Jack. This fits in the lateral power inlet on the camera body.

MV-EX1 V-Mount adapter also features a D-Tap connector as an auxiliary, 14.8V nominal power source.

Features and Specifications

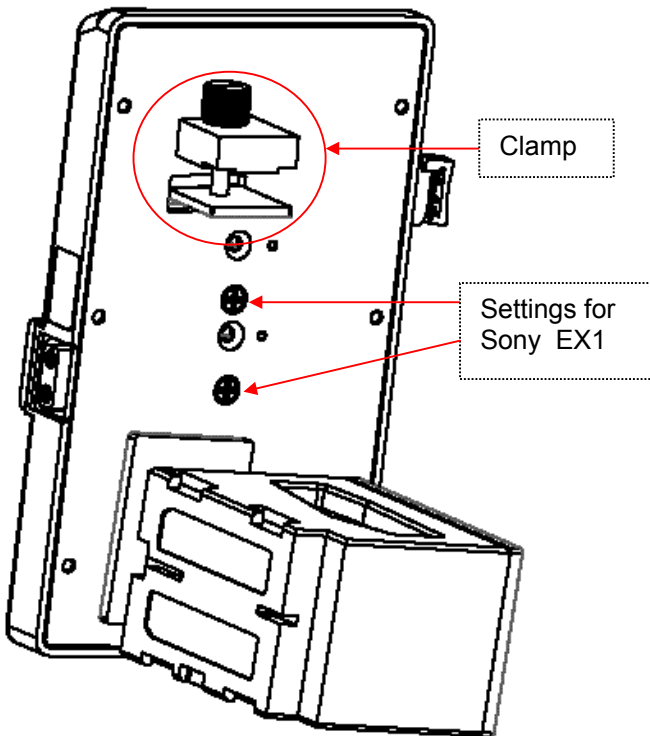
- Allows usage of standard V-lock batteries, directly installed on the XDCAM
- Secure, sturdy installation preserving a correct camera balance
- Significantly extended XDCAM runtime benefits through a small investment in BLUESHAPE V-lock power systems
- Additional 14.8V power source for accessories available from the "D-tap" connector installed on the side of battery adapter plate

Dimensions 82(W-excluding metal arm) x 140(H) x 140(D)mm
Weight: 405 grams

Accessories supplied:

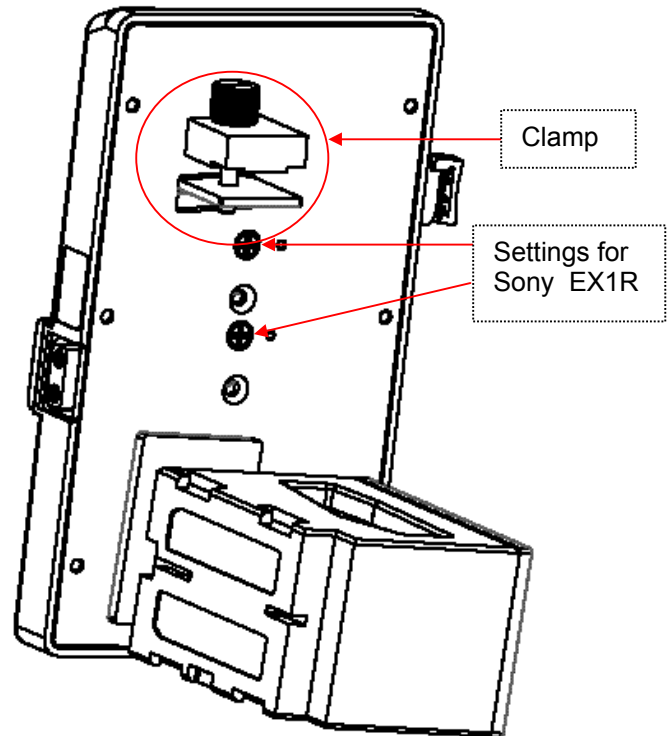
- 1 x MV-EX1
- 1 x Instruction manual

Installation



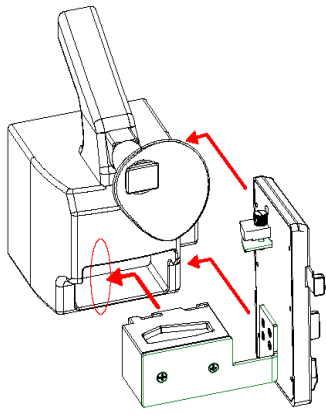
PMW-EX1

Note: For correct mount on Sony EX1 the clamp arrangement must be screwed as shown. (Use 2 countersunk M3X8 screws)

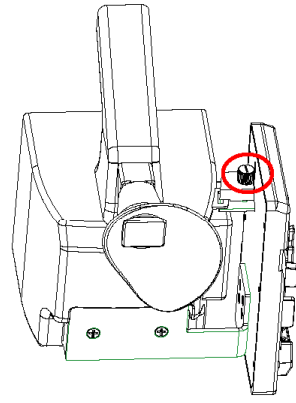


PMW-EX1R

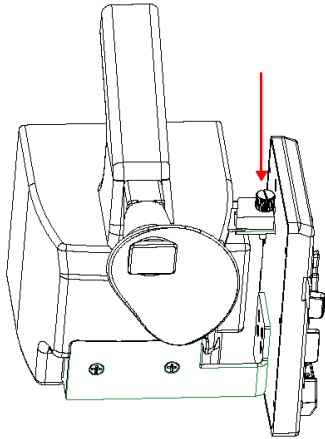
Note: For correct mount on Sony EX1R the clamp arrangement must be screwed as shown. (Use 2 countersunk M3X8 screws)



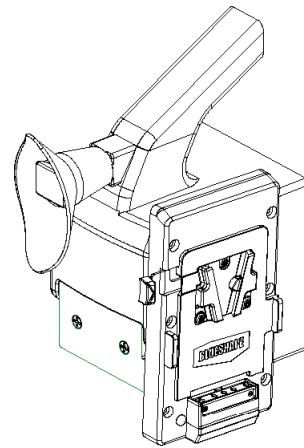
1. Insert the battery side of the adapter in the battery receptacle and slide sideways (left) to lock, as indicated by the arrow.



2. Pay attention to dock the adapter correctly in position for clamping



3. Insert the bracket and the thumb screw to clamp the camera hook as shown



4. Tighten the thumb screw to firmly lock the adapter