

Introduction

The BLUESHAPE code reference for this item is MV-EX3.

Your BLUESHAPE V-Mount adapter has been designed as an attachment to be fitted in place of the original EX3 battery.

Below is a step by step guide for a correct installation.

BLUESHAPE MV-EX3 adapter features an improved stabilizer that allows for a precise installation, eliminating any risk of shake of the V-Mount battery once installed, even during live actions.

The power to the camera is fed in by a short cable, equipped with a right-angle DC Jack. This fits in the lateral power inlet on the camera body.

MV-EX3 V-Mount adapter also features a D-Tap connector as an auxiliary 14.8V, nominal power source.

Features and Specifications

- Allows usage of standard V-lock batteries, directly installed on the camcorder
- Secure and stable installation
- Significantly extended runtime of the XDCAM EX through a small investment in BLUESHAPE V-lock power systems
- An additional power source is available from the "D-tap" connector installed on the battery adapter plate

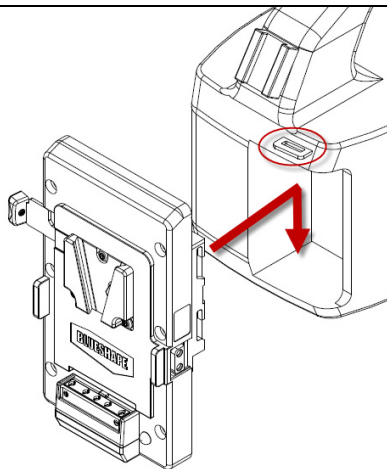
Dimensions 82(W) x 140(H) x 75(D)mm

Weight: 330 grams

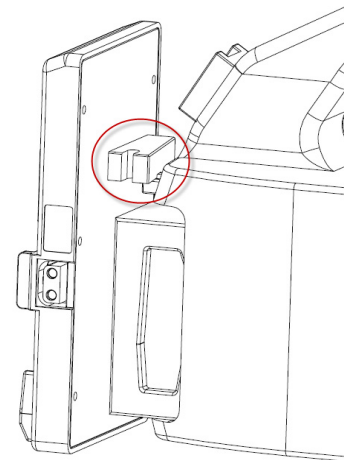
Accessories supplied:

- 1 x MV-EX3
- 1 x Instruction manual

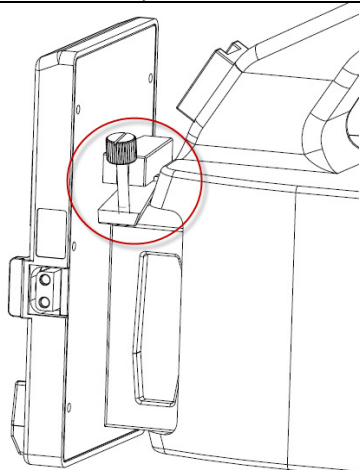
Installation



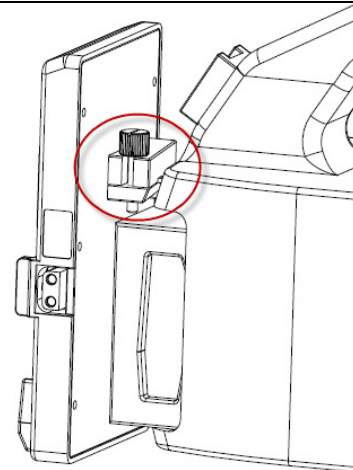
1. Insert the battery side of the adapter in the battery receptacle and slide downwards to lock, as indicated by the arrow.



2. Pay attention to match the adapter with the hook for the shoulder strap



3. Insert the bracket and the thumb screw to clamp the camera hook as shown



4. Tighten the thumb screw to firmly lock the adapter