

Introduction

BLUESHAPE CYKLOPS is an LED camera light. It features an innovative single high power LED, dimmable and capable of producing up to 300 Lux. It has a wide operating voltage range from 9 to 30V making it suitable for a wide range of broadcast camcorders. It has 2 illumination settings @ 300Lux and 200Lux. The native light emitted is at 5600K but can also be converted to 3200K or 6800K using the on-board dichroic filters. It features a double jointed, standing bracket for optimal orientation.

Package contents

- CYKLOPS LED light with integrated barn doors
- Dichroic 'white' filter (6800K)
- Dichroic 'yellow' filter (3200K)
- Instruction manual



Caution

1. Pointing unfiltered light directly towards the eye of the subject can be harmful and irritating and needs to be avoided.
2. Servicing of this unit is to be done only by qualified personnel or preferably by your BLUESHAPE servicing facility.
3. After prolonged use or in hot climates, the exterior of the unit may become warm or relatively hot.

Specifications:

Lamp type: Single LED module

Colour temperature: 6800K , 5600K and 3200K

Light beam: 300 Lux - 200 Lux (at 1metre)

Intensity control: change over switch

Illumination angle: 60°

Voltage operating range: 9V to 30V

Power consumption: 4W - 6W

Power connector: D-Tap

Mount type: Hot shoe or thumb screw (optional)

Weight: 540g including barn doors and filters

Fig 1: CYKLOPS LED light - front view with open barn doors

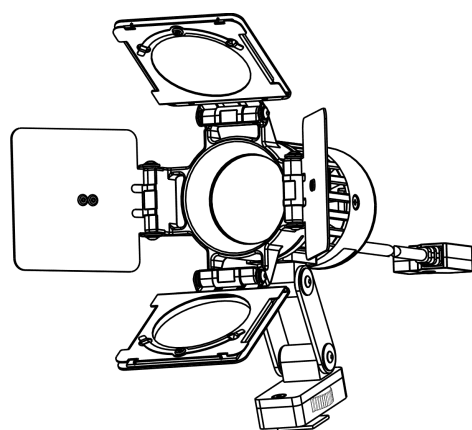


Fig 2: CYKLOPS LED light - front view with closed barn doors

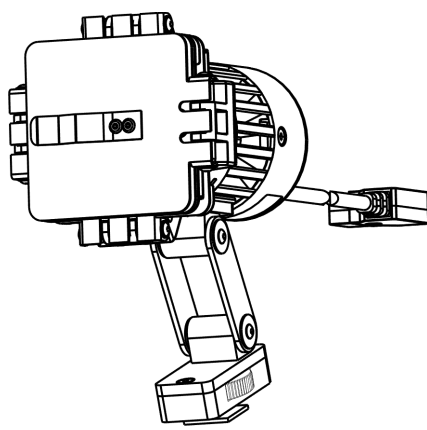


Fig 3: CYKLOPS LED light - back view.

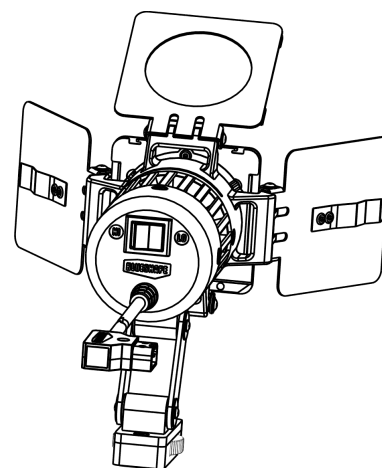


Fig 4: CYKLOPS LED light - front view
Inserting 1 of 2 gel filters

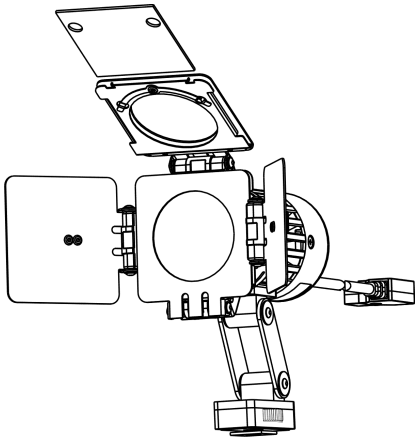


Fig 5: CYKLOPS LED light - front view
One barn door containing gel in closed position

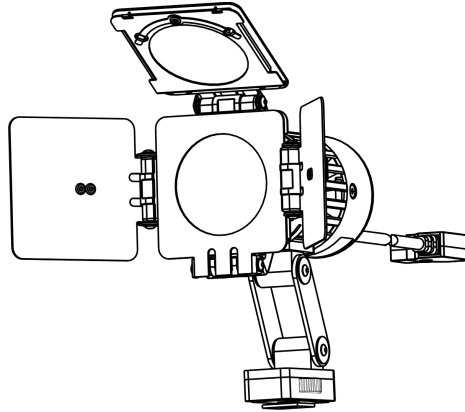


Fig 6: Using thumb nut for CYKLOPS mounting
Preparation

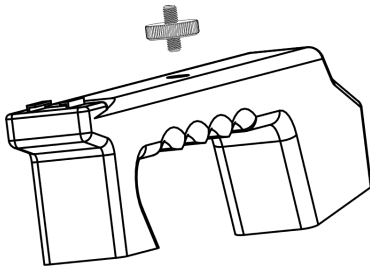


Fig 7: Using thumb nut for CYKLOPS mounting
Screwing CYKLOPS into thumb nut

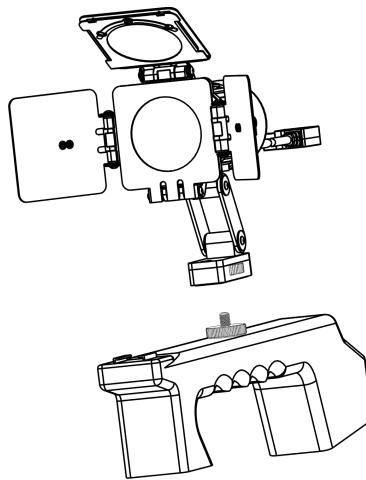


Fig 8: Using thumb nut for CYKLOPS mounting
CYKLOPS mounted onto thumb nut

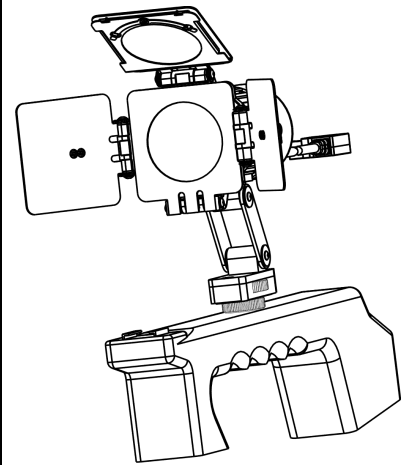


Fig 9: CYKLOPS LED light - front view
Preparation for mounting on hot shoe

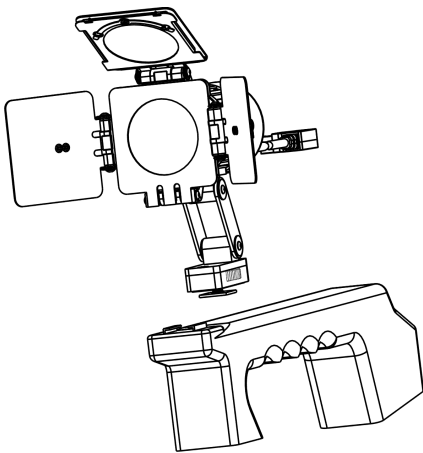
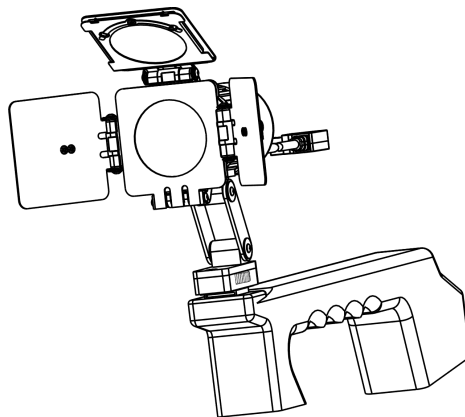


Fig 10: CYKLOPS LED light - front view
CYKLOPS mounted on hot shoe



Warranty

BLUESHAPE products are warranted to be free from defects in materials, workmanship and functionality for a period of 18 months commencing from the date of purchase. This warranty shall not apply to any products or parts of, that have been subjected to misuse, negligence, accidental or abnormal conditions of operation. The buyer should always contact the place of purchase for any return of defective product. It is important that the buyer provides us with as much information as possible about the failure being claimed. In the event of product failure for which warranty applies, we will repair or replace the product free of charge. In these cases, all expenses including transport charges will be borne by us. In the case where the failure has been caused by one of the causes explained above, repairs would be billed at a nominal cost. Prior to the carrying out of any repairs, we will inform the customer of the estimated costs of these repairs. These warranty conditions are the only ones applicable to our products and overrule any other expressed or implied warranties. We shall not be held liable for any damages resulting from warranty statements other than those contained in this declaration. This warranty is not transferable and is only applicable to the original buyer. In all warranty claims, the buyer must reproduce the original purchase invoice.